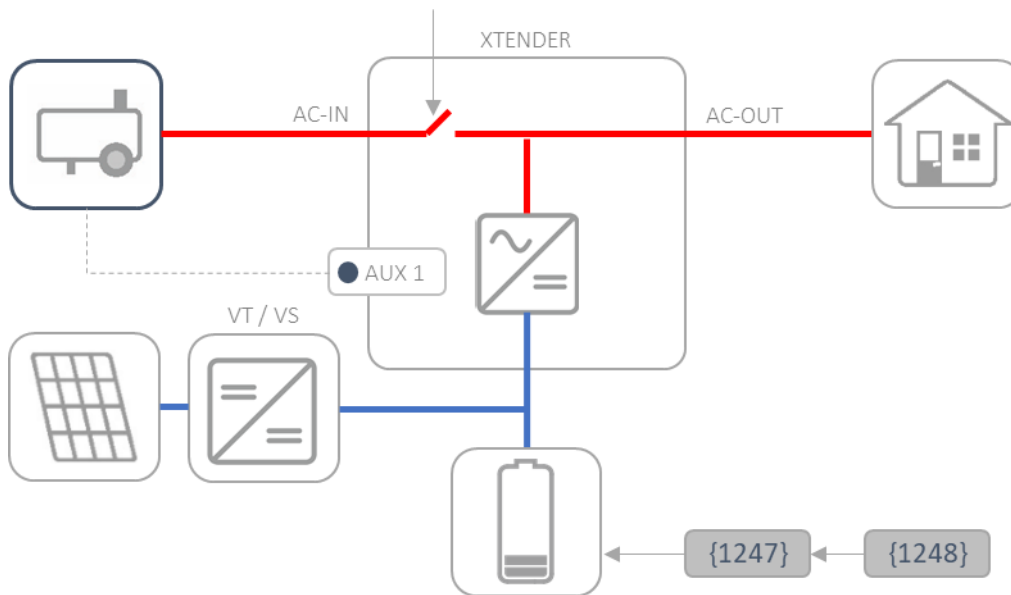




FAQ – How do I configure the generator to start automatically for backup?

In a hybrid system is very important to have an automatic management of the backup generator, according to different conditions. The main goal of the backup generator is to protect the battery from deep discharge. At Studer we know that the protection of the battery is critical, therefore we have preconfigured the automatic start of a generator according to battery voltage using the Xtender's Auxiliary Contact 1 as factory settings. You only need to cable the Xtender's Auxiliary Contact 1 and the generators' automatic start. The preconfigured factory settings will do the rest, starting your generator when the battery voltage is low. When your battery is charged, the Auxiliary Contact 1 will be deactivated and your generator will turn off automatically.



Device	Xtender settings	N°	Description	Value
XT	AUX 1	1246	Battery voltage 1 activate (AUX 1)	Yes
XT	AUX 1	1247	Battery voltage 1 (AUX 1)	46.8 Vdc*
XT	AUX 1	1248	Delay 1 (AUX 1)	1 min*
XT	AUX 1	1255	Battery voltage to deactivate (AUX 1)	54 Vdc*
XT	AUX 1	1256	Delay to deactivate (AUX 1)	60 min*

Your Xtender system is prepared from the factory for an easy integration of a backup generator to protect your battery. The battery voltage conditions are preconfigured by us. We recommend adjusting the battery voltage values according to your system design and the battery manufacturer recommendations. Configuring the Xtender to automatically start the generator according to other conditions and events is also possible in the Xtender settings menu.

Most generators have an automatic start available. If you have a generator with a three-wire contact, you can still configure the system for an automatic start of generator, using the extended functions of the Auxiliary Contacts 1 and 2.