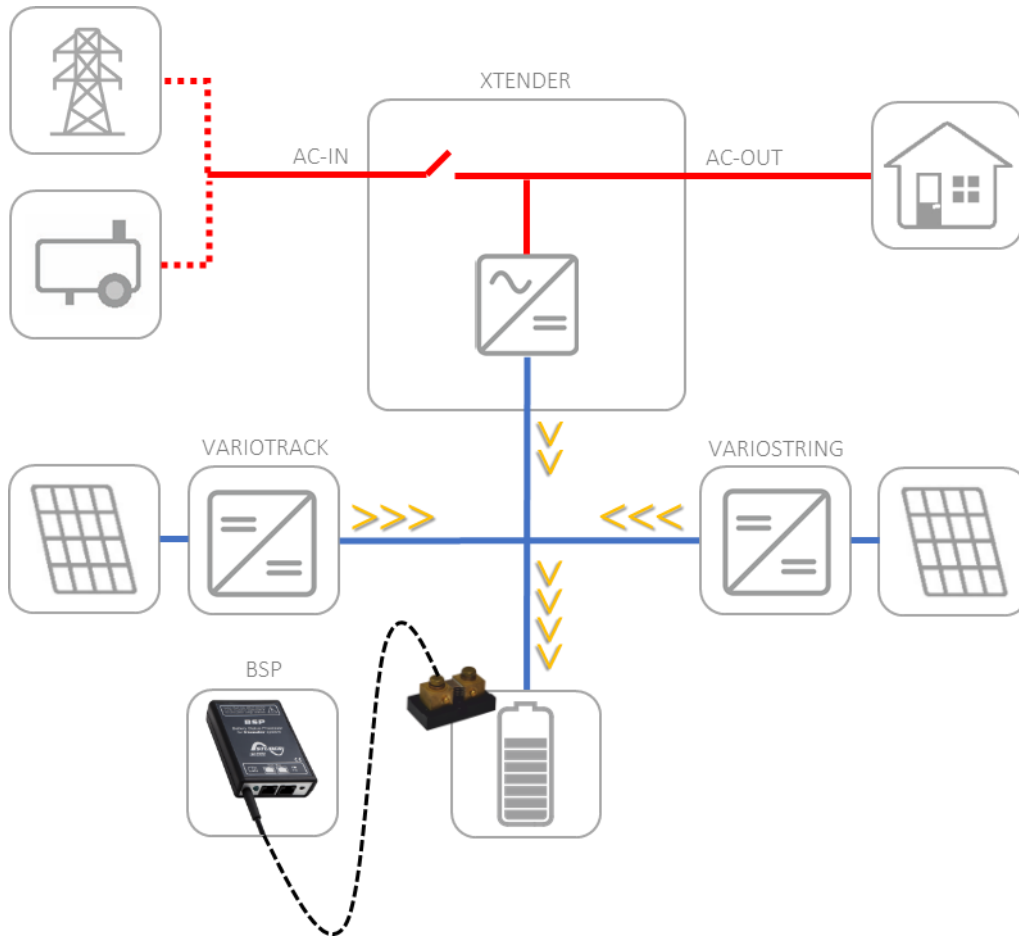




BSP, the central brain for your Xtender system

Our development team has worked incessantly to turn the BSP into the central brain of our Xtender system. We have improved the robustness of the central battery charge current control. When activated, the BSP manages the global battery charge current, measured directly by the BSP in the battery, and controls the VarioString, Variotrack and Xtender charge currents. This control will implicitly apply a solar priority strategy. Thus, the current will be taken primarily from the Variotrack and VarioString. For further information, please see our BSP manual available on our website in the [Downloads](#) section under "Accessories User Manuals".



Configure the centralized charge current control with the BSP:

| Device | Xtender settings | N° | Description | Value |
|--------|------------------|------|--------------------------------------|--------|
| BSP | Advance settings | 6058 | Battery current limitation activated | Yes |
| BSP | Advance settings | 6059 | Max battery charge current | 150 A* |

** Studer recommends contacting your battery manufacturer in order to confirm your specific battery's maximum charge current. The most commonly used value for battery charge current is 10-20% of the battery total capacity, prior to confirmation with the battery manufacturer.*